

LEVELING DEVICES- Original Series - Stud Style - Elastomer Pad

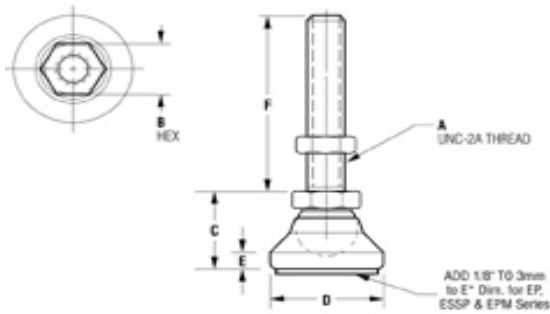
Inch-Standard Length Stud Styles

Steel with Elastomer Pad

Vlier Original Stud Style Steel with Elastomer Pads offer a .125 neoprene elastomer bonded to the bottom of the base to provide non-skid support. Zinc plate with gold chromate finish is standard.

Stainless Steel with Elastomer Pad

Vlier Original Stud Style Stainless Steel with Elastomer Pads offer the advantage of an all-stainless steel design for maximum protection against rust and corrosion.



Original Stud Style - Steel Base with Elastomer Pad (Steel Stud)

Part No.	Max load (lbs)	A	B	C	D	E	F
EP298S	525	10-32	3/8	17/32	3/4	7/64	1
EP300S	800	1/4-20	1/2	45/64	1	5/32	1-1/4
EP304S	2,800	3/6-16	5/8	7/8	1-1/4	3/16	2
EP306S	3,750	1/2-13	3/4	1-1/8	1-7/8	1/4	2
EP308S	4,500	5/8-11	7/8	1-1/4	2-1/2	5/16	2
EP310S	5,400	3/4-10	1-1/16	1-1/2	3	1/2	2
EP312S	16,400	1-8	1-3/8	1-7/8	4	13/32	4-1/4

Original Stud Style - Steel Base with Elastomer Pad (Stainless Steel Stud)

Part No.	Max load (lbs)	A	B	C	D	E	F
ESSP298S	525	10-32	3/8	17/32	3/4	7/64	1
ESSP300S	800	1/4-20	1/2	45/64	1	5/32	1-1/4
ESSP304S	2,800	3/6-16	5/8	7/8	1-1/4	3/16	2
ESSP306S	3,750	1/2-13	3/4	1-1/8	1-7/8	1/4	2
ESSP308S	4,500	5/8-11	7/8	1-1/4	2-1/2	5/16	2
ESSP310S	5,400	3/4-10	1-1/16	1-1/2	3	1/2	2
ESSP312S	16,400	1-8	1-3/8	1-7/8	4	13/32	4-1/4